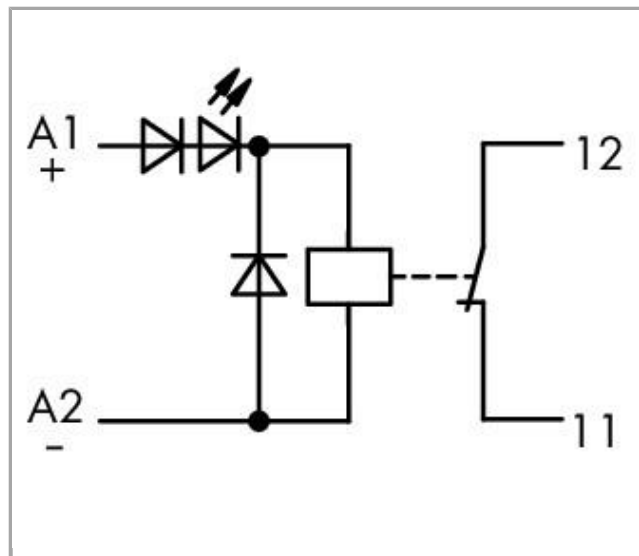


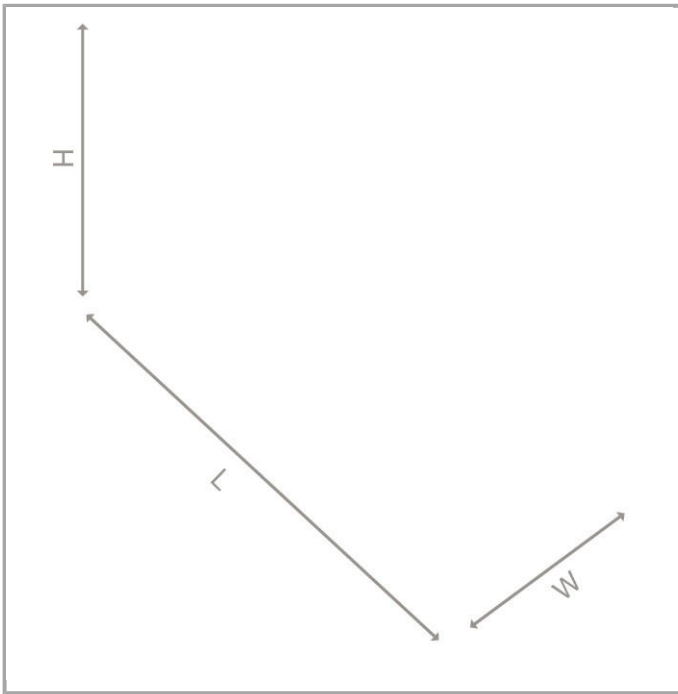
Data sheet | Item number: 288-368

Relay module; Nominal input voltage: 24 VDC; 1 break contact; Limiting continuous current: 5 A; Module width: 13 mm



288-368



**Data****Technical Data****Control circuit**

Nominal input voltage U_N	DC 24 V
Input voltage range	$\pm 10\%$
Nominal input current at U_N	20 mA

Load circuit:

Number of break contacts/switch off contacts	1
Contact material (relay)	AgNi 0.15
Limiting continuous current	5 A
Max. make current (resistive)	(AC) 16 A / 4 s
Max. switching voltage	AC 250 V
Max. switching power (resistive)	AC 1,250 VA
Min. switching current	0 μ A
Pull-in time (typ.)	4 ms
Drop-out time (typ.)	6 ms
Bounce time (typ)	2 ms
Drop-out time	$\leq 0 \mu$ s
Electrical life (N.O.; resistive load; 23 °C)	200 x 10 ³ switching operations
Mechanical life (N.O.; resistive load; 23 °C)	30 x 10 ⁶ switching operations

Safety and protection:

Overvoltage category	II
Pollution degree	2
Dielectric strength, control/load circuit (AC, 1 min)	4 kVrms

Connection data

Connection technology	CAGE CLAMP®
WAGO terminal	WAGO 236 Series
Solid conductor	0.08 ... 2.5 mm ² / 28 ... 12 AWG
Fine-stranded conductor	0.08 ... 2.5 mm ² / 28 ... 12 AWG
Strip length	5 ... 6 mm / 0.2 ... 0.24 inch

Geometrical Data

Width	13 mm / 0.512 inch
Height from upper-edge of DIN-35 rail	47 mm / 1.85 inch
Depth	85 mm / 3.346 inch

Mechanical data

Type of mounting	DIN-35 rail
------------------	-------------

Material Data

Color	gray
Fire load	0 MJ
Weight	30.9 g

Environmental Requirements

Pollution degree	2
Surrounding air (operating) temperature at U _N	-25 ... 40 °C
Surrounding air (storage) temperature	-25 ... 70 °C
Relative humidity	5 ... 75 % (non condensing)
Max. operating altitude	2000 m

Standards and specifications

Standards/specifications	EN 61810-2-201
--------------------------	----------------

Commercial data

Product Group	6 (Interface Electronics)
Country of origin	DE

GTIN	4045454319946
Customs Tariff No.	85364900990

Compatible products

tools



Item no.: 210-720

Operating tool with partially insulated shaft; Type 2, blade (3.5 x 0.5) mm

210-720

Marking accessories



Item no.: 709-177

Marking strips; on reel; 7.5 mm wide; not stretchable; plain; snap-on type

709-177



Item no.: 709-178

Marking strips; on reel; 7.5 mm wide; not stretchable; plain; snap-on type

709-178



Item no.: 709-196

Marking strips; for laser printer

709-196



Item no.: 709-198

Marking strips

709-198

Downloads

Documentation

Bid Text

288-368	Jan 22, 2016	doc	Download
Relaisbaustein		27.1 kB	

Additional Information

Disposal; Electrical and electronic equipment, Packaging	V 1.0.0	pdf	Download
		265.8 kB	

CAD/CAE - Smart Data

CAD data

3D Download 288-368	URL	Download
---------------------	-----	----------

Subject to changes.